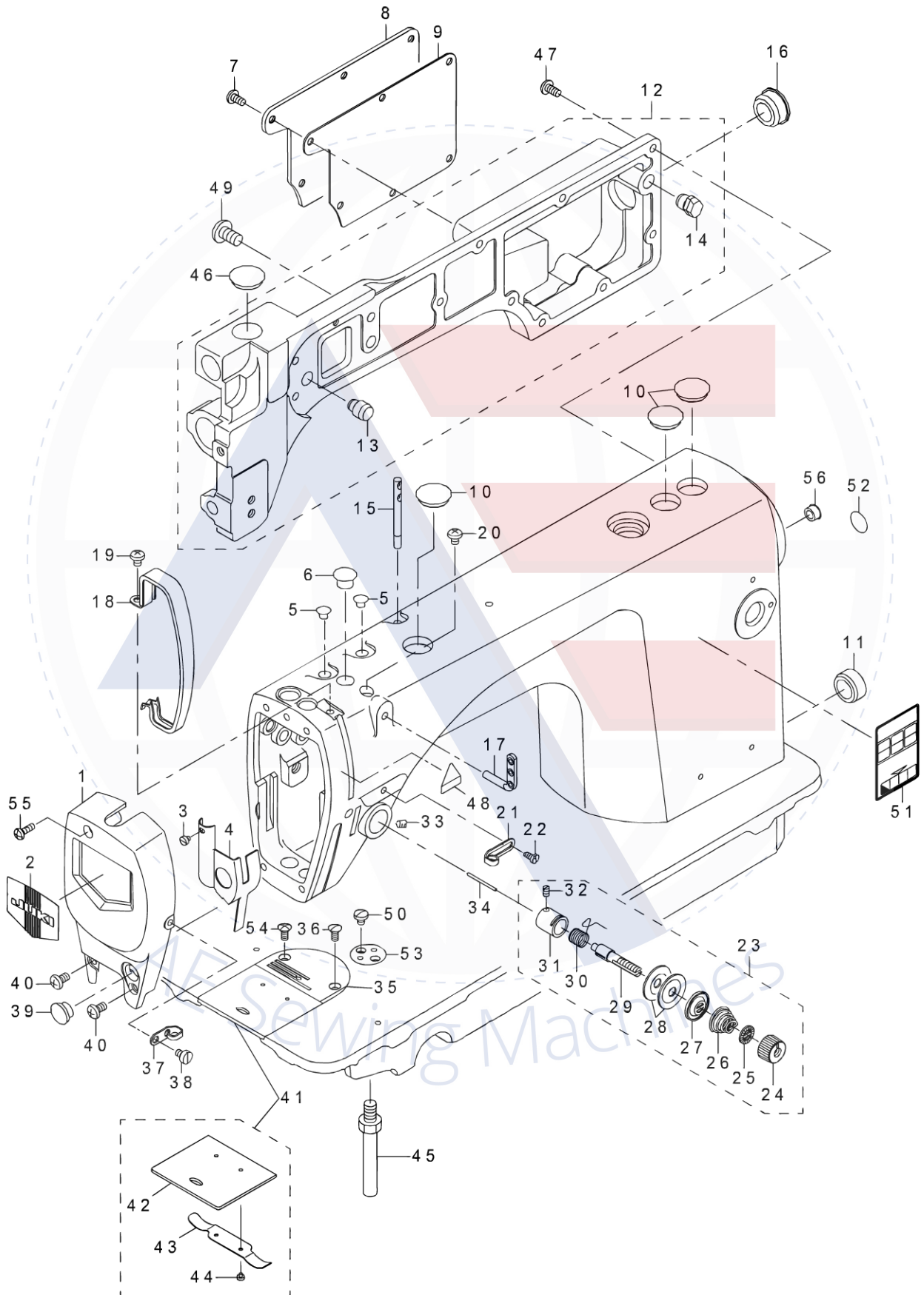


1. MACHINE FRAME & MISCELLANEOUS COVER COMPONENTS

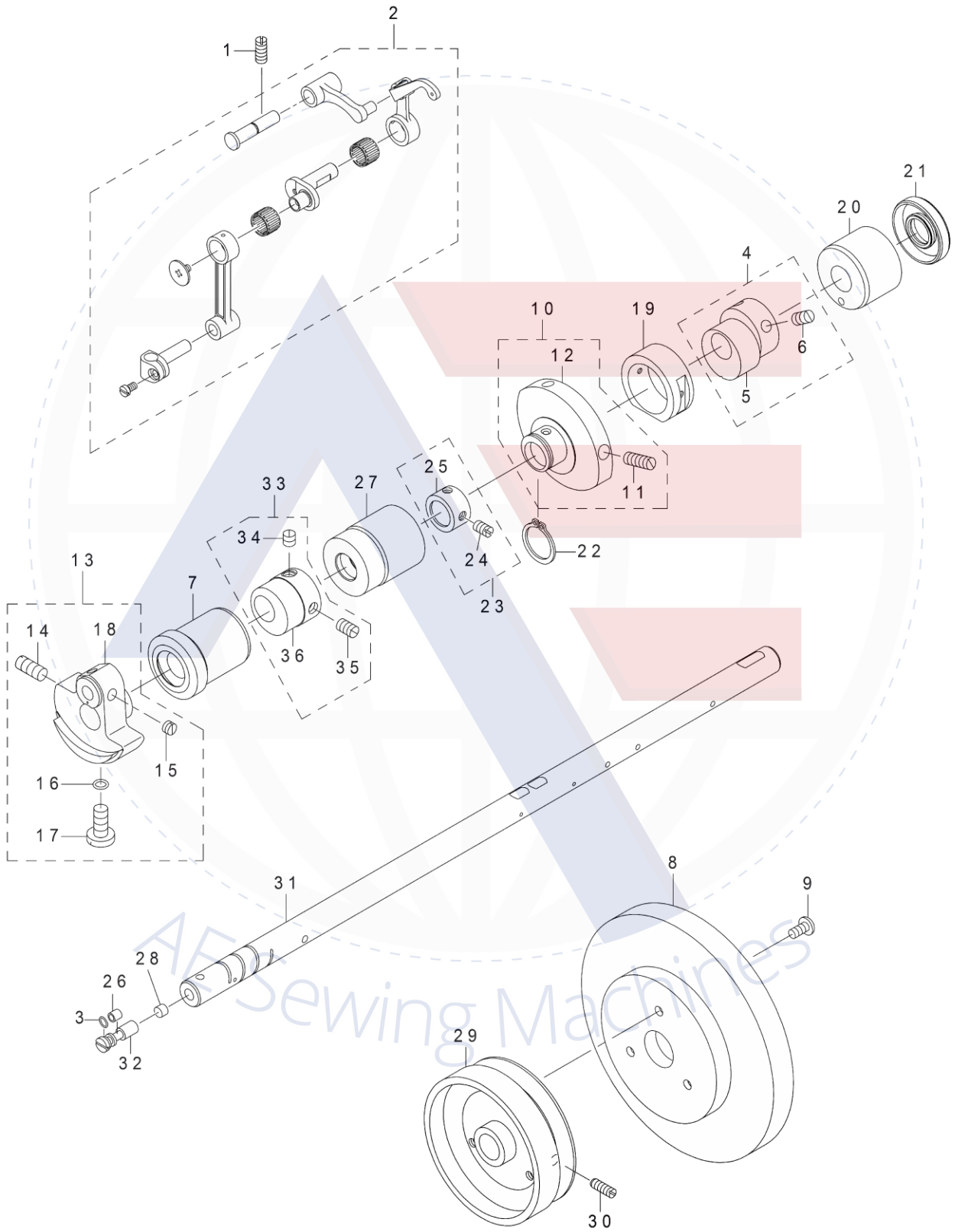


No	note	Parts No.	DESCRIPTION	Qty
1		40022646	FACE PLATE	1
2		22902506	FACE PLATE	1
3		SS6080320SP	SCREW 1/8-44 L= 2.5	1
4		40021790	FACE PLATE OIL SHIELD ASM.	1
5		TA0850604R0	RUBBER PLUG	2
6		TA1250705R0	RUBBER PLUG	1
7		SS4120915SP	SCREW 3/16-28 L=9	6
8		40022647	WINDOW PLATE	1
9		40021567	GASKET	1
10		TA2050406R0	RUBBER PLUG	3
11		TA2101002R0	RUBBER PLUG	1
12		40021907	UPPER FEED BASE COMPL.	1
13		40021592	PIN(A)	(1)
14		40021593	PIN(B)	(1)
15		22958300	NEEDLE THREAD GUIDE PIN	1
16		TA2351004R0	RUBBER PLUG	1
17		40023295	THREE HOLE THREAD EYELET	1
18		11415205	THREAD TAKE-UP LEVER COVER(JE)	1
19		SS4120615SP	SCREW 3/16-28 L=6	1
20		SS4120615SP	SCREW 3/16-28 L=6	1
21		23626104	ARM THREAD GUIDE A	1
22		11001500	SCREW	1
23		40085722	THREAD TENSION ASM.	1
24		22921308	THREAD TENSION NUT	(1)
25		22921407	ROTATION STOPPER	(1)
26		40085903	SPRING	(1)
27		22921803	DISK STOPPER	(1)
28		22921506	THREAD TENSION DISK	(2)
29		22921209	THREAD TENSION POST	(1)
30		22921605	THREAD TAKE-UP SPRING	(1)
31		22945307	THREAD TENSION POST BASE	(1)
32		SS8090670SP	SCREW 9/64-40 L=5.5	(1)
33		SS8150710TP	SCREW 15/64-28 L=7	1
34		22920904	PIN	1
35		40021615	THROAT PLATE	1
36		SS2110920TP	SCREW 11/64-40 L=8.5	1
37		22920607	ARM THREAD GUIDE B	1
38		SS6110610TP	SCREW 11/64-40 L=6	1
39		TA1250406R0	RUBBER PLUG D=12.5 L=4	1
40		SS4121015SP	SCREW 3/16-28 L=10	2
41		22901250	SLIDE PLATE ASM.	1
42		22901201	SLIDE PLATE	(1)
43		22901300	SLIDE PLATE SPRING	(1)
44		SS6060210SP	SCREW 3/32-56 L=1.9	(2)
45		22901003	BED SCREW STUD	4
46		TA2050406R0	RUBBER PLUG	1
47		SS4121015SP	SCREW 3/16-28 L=10	10
48		CM300200001	ATTENTION SEAL 16	1
49		SS4701415SD	SCREW	1
50		SS7110540SP	SCREW 11/64-40 L=5	2
51		CM301200001	SAFETY LABEL S	1
52		22901805	GROUND MARK	1
53		22902605	RULER STOP SEAT	1
54		SS2110915SP	SCREW 11/64-40 L=8.5	1
55		SS4112215SP	SCREW 11/64-40 L=22	1
56		TA0950806R0	RUBBER PLUG	1

1... /

AE Sewing Machines

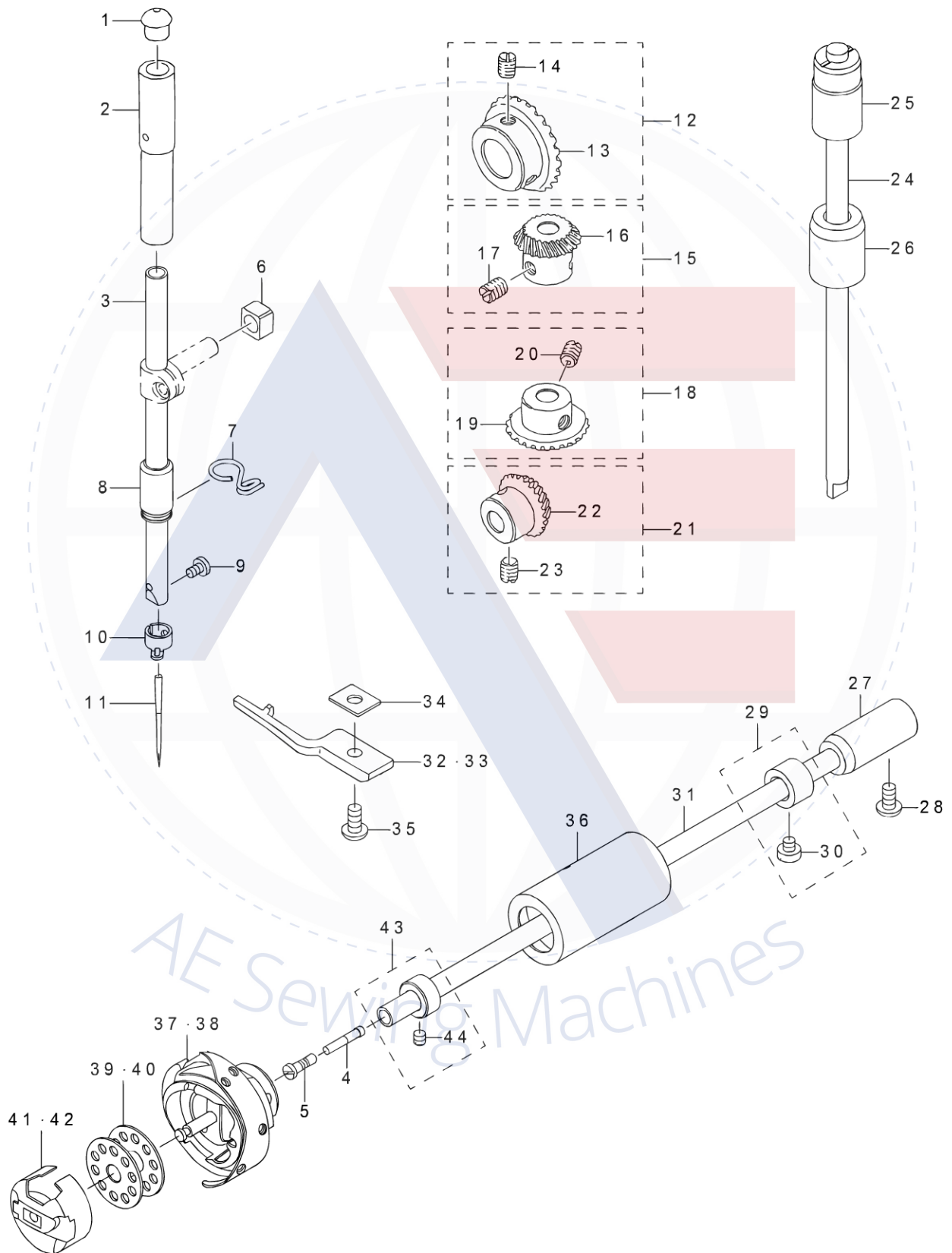
2. MAIN SHAFT & THREAD TAKE-UP LEVER COMPONENTS



No	note	Parts No.	DESCRIPTION	Qty
1		SS8151150TP	SCREW 15/64-28 L=10.5	1
2		40021775	THREAD TAKE-UP LEVER ASM.	1
3		RO029180100	RUBBER RING	1
4		40021773	ECCENTRIC FEED CAM ASM.	1
5		40021574	ECCENTRIC FEED CAM	(1)
6		SS8660810TP	SCREW 1/4-40 L=8	(2)
7		22903207	MAIN SHAFT BUSHING FRONT	1
8		40026457	HAND WHEEL B	1
9		SM4051055SP	SCREW	3
10		40021774	VERTICAL FEED CAM ASM.	1
11		SS8681650TP	SCREW 9/32-28 L=16	(2)
12		40021575	VERTICAL FEED CAM	(1)
13		40021770	COUNTER WEIGHT ASM.	1
14		SS8681650TP	SCREW 9/32-28 L=16	(1)
15		SS8660410SP	SCREW 1/4-40 L=4.2	(2)
16		RO044240100	RUBBER RING	(1)
17		SS7681650TP	SCREW 9/32-28 L=16	(1)
18		40021635	COUNTER WEIGHT	(1)
19		40024118	PITMAN SLEEVE	1
20		40048594	MAIN SHAFT BUSHING	1
21		11002508	OIL SEAL	1
22		RC1850001KP	SNAP RING 18.5	1
23		22904155	MAIN SHAFT THRUST COLLAR ASM.	1
24		SS8660610TP	SCREW 1/4-40 L=6	(2)
25		22904106	MAIN SHAFT THRUST COLLAR	(1)
26		B1215552000	OIL ADJUSTING COLLAR	1
27		22903306	BUSHING INTERMEDIATE	1
28		B1226490000	ROLLER FELT	1
29		40026454	HAND WHEEL A	1
30		SS8151550SP	SCREW 15/64-28 L=15	2
31		22903009	MAIN SHAFT	1
32		22903900	ADJUSTING PIN	1
33		40102602	FEED DRIVE ECCENTRIC CAM ASM.	1
34		SS8660610TP	SCREW 1/4-40 L=6	(1)
35		SS8661030SP	SCREW 1/4-40 L=10	(1)
36		40101997	FEED DRIVE ECCENTRIC CAM	(1)

1...

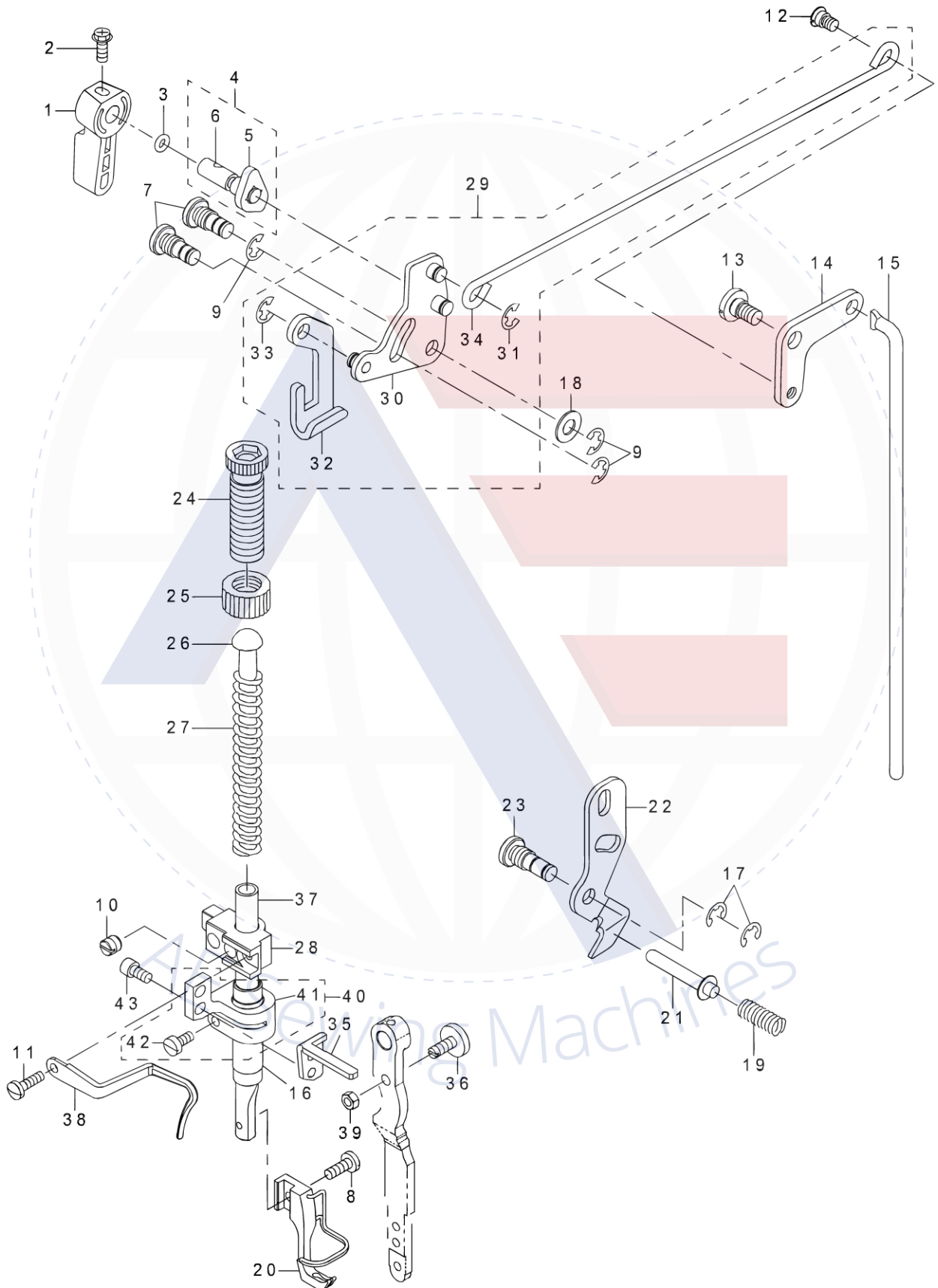
AE Sewing Machines



No	note	Parts No.	DESCRIPTION	Qty
1		22901409	NEEDLE BAR UPPER BUSH CAP	1
2		40099753	NEEDLE BAR BUSHING	1
3		40023030	NEEDLE BAR	1
4		11404704	OIL WICK	1
5		22916506	SET SCREW	1
6		40090058	SLIDE BLOCK	1
7		40023223	NEEDLE BAR THREAD GUIDE	1
8		40021604	NEEDLE BAR BUSHING LOWER	1
9		SS7080510TP	SCREW 1/8-44 L=4.5	1
10		40024124	NEEDLE BAR THREAD GUIDE	1
11		MDP170B2100	NEEDLE DPX17 #21	1
12		40090002	UPPER LARGE BEVEL GEAR ASM.	1
13		40090006	UPPER LARGE BEVEL GEAR	(1)
14		SS8660810TP	SCREW 1/4-40 L=8	(2)
15		40090003	UPPER SMALL BEVEL GEAR ASM.	1
16		40090007	UPPER SMALL BEVEL GEAR	(1)
17		SS8660810TP	SCREW 1/4-40 L=8	(2)
18		40090004	LOWER LARGE BEVEL GEAR ASM.	1
19		40090008	LOWER LARGE BEVEL GEAR	(1)
20		SS8660810TP	SCREW 1/4-40 L=8	(2)
21		40090005	LOWER SMALL BEVEL GEAR ASM.	1
22		40090009	LOWER SMALL BEVEL GEAR	(1)
23		SS8660810TP	SCREW 1/4-40 L=8	(2)
24		40021612	UPRIGHT SHAFT	1
25		22905103	UPRIGHT SHAFT BUSHING UPPER	1
26		22905202	UPRIGHT SHAFT BUSHING LOWER	1
27		22916308	HOOK DRIVING SHAFT BUSH REAR	1
28		SS4120915SP	SCREW 3/16-28 L=9	1
29		22917157	THRUST COLLAR ASM. REAR	1
30		SS6110420TP	SCREW 11/64-40 L=4.8	(2)
31		11403300	HOOK DRIVING SHAFT	1
32		40102871	POSITIONING FINGER	1
33	#01	11091709	POSITIONING FINGER	1
34	#01	40098949	SPACER	1
35		SS4110915TP	SCREW 11/64-40 L=9	1
36		40021613	HOOK DRIVING SHAFT BUSH FRON	1
37	#01	B1830141HA0	HOOK ASM.	1
38		40098685	HOOK ASM.	1
39		40021610	BOBBIN	1
40	#01	B9117201000	BOBBIN	1
41		40098684	BOBBIN CASE ASM.	1
42	#01	40098959	BOBBIN CASE ASM.	1
43		22917058	THRUST COLLAR ASM. FRONT	1
44		SS8110410TP	SCREW 11/64-40 L= 3.5	(2)

1...#01FOR DU-1181N-**A / 2... /

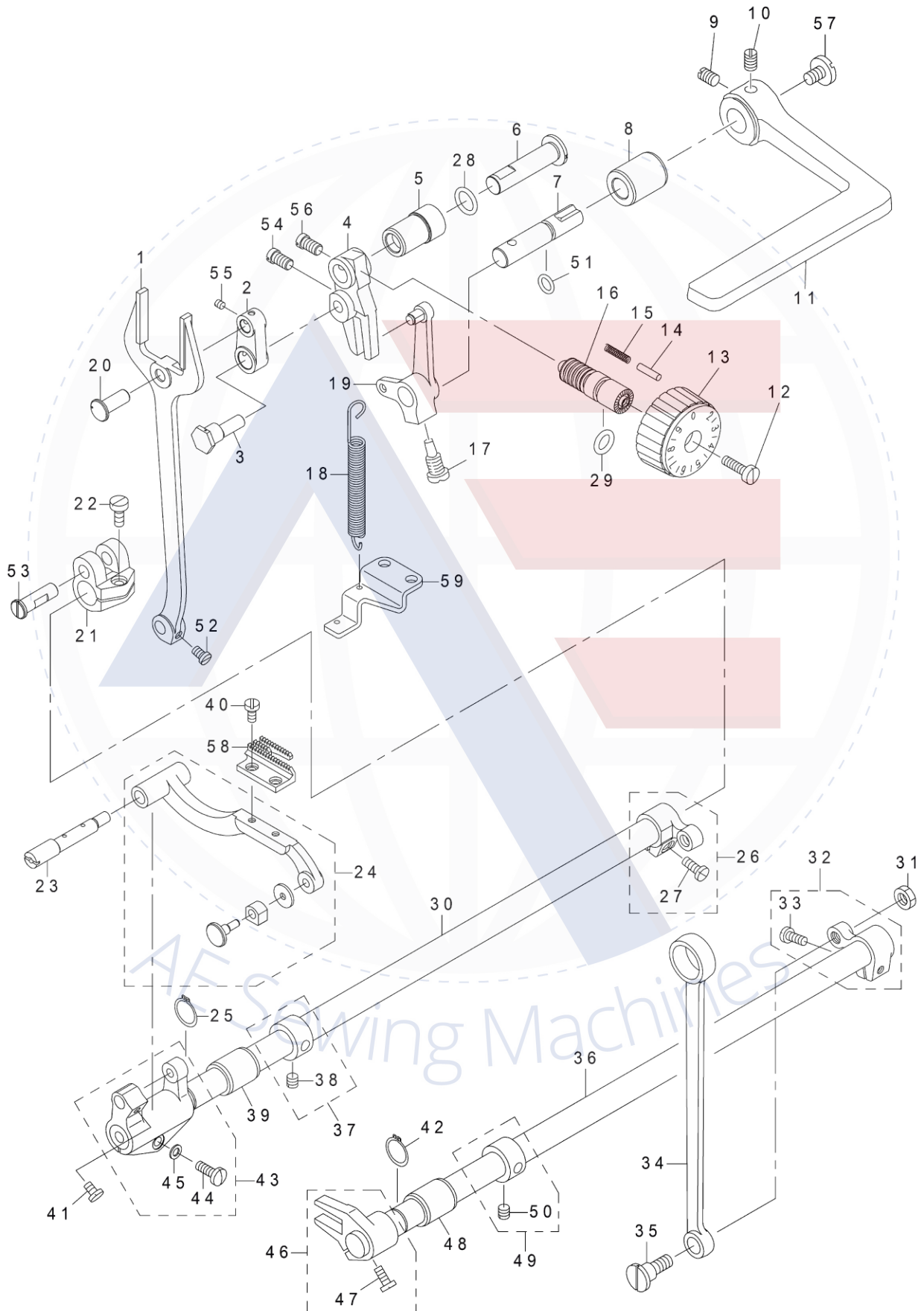
4. HAND LIFTER COMPONENTS



No	note	Parts No.	DESCRIPTION	Qty
1		22907802	HAND LIFTER	1
2		B1521555000	SCREW	1
3		RO037180100	RUBBER RING	1
4		40021570	HAND LIFTER CAM ASM.	1
5		22908503	HAND LIFTER CAM	(1)
6		22908602	HAND LIFTER CAM SHAFT	(1)
7		22908701	LINK SHAFT	2
8		SS7091110TP	SCREW 9/64-40 L=10.5	1
9		RE0500000K0	E-RING	3
10		SS8860610TP	SCREW 1/4-40 L=6	1
11		SS6090910SP	SCREW 9/64-40 L=9	2
12		22908909	HINGE SCREW	1
13		SD0720331SP	HINGE SCREW D= 7.24 H= 3.3	1
14		22908800	KNEE LIFTER LINK	1
15		22909006	KNEE LIFTER CONNECTING ROD	1
16		40014007	PRESSER BAR BUSHING LOWER	1
17		RE0500000K0	E-RING	2
18		WP0650876SD	WASHER 6.5X13X0.8	1
19		22920409	THREAD RELEASE PIN SPRING	1
20		40021791	PRESSER FOOT ASM.	1
21		22920300	THREAD RELEASE SUPPORTING PIN	1
22		40064560	THREAD RELEASE PLATE	1
23		22920102	TENSION RELEASE ASHFT	1
24		40101971	PRESSER ADJUSTING SCREW	1
25		22907604	PRESSER SPRING REGULATOR NUT	1
26		22907703	PRESSER GUIDE BAR	1
27		40101970	PRESSER SPRING	1
28		40102978	PRESSER BAR GUIDE BRACKET	1
29		40064558	KNEE LIFTING CROSS ROD ASM.	1
30		40064561	LIFTING LINK ASM	(1)
31		RE0500000K0	E-RING	(1)
32		40023246	LIFTING PLATE	(1)
33		RE0500000K0	E-RING	(1)
34		22908305	KNEE LIFTER SIDE ROD	(1)
35		40109071	SUPPORT PLATE	1
36		40109160	L-SHAPED ROD GUIDE SCREW	1
37		40017805	PRESSER BAR	1
38		40101961	THREAD GUIDE	1
39		NS6110310SP	NUT 11/64-40	1
40		40101958	SUPPORT BASE ASM.	1
41		40101957	SUPPORT BASE	(1)
42		SS7091410SP	SCREW 9/64-40 L=13.5	(1)
43		SM6040802TP	SCREW M4X0.7 L=8	2

1... /

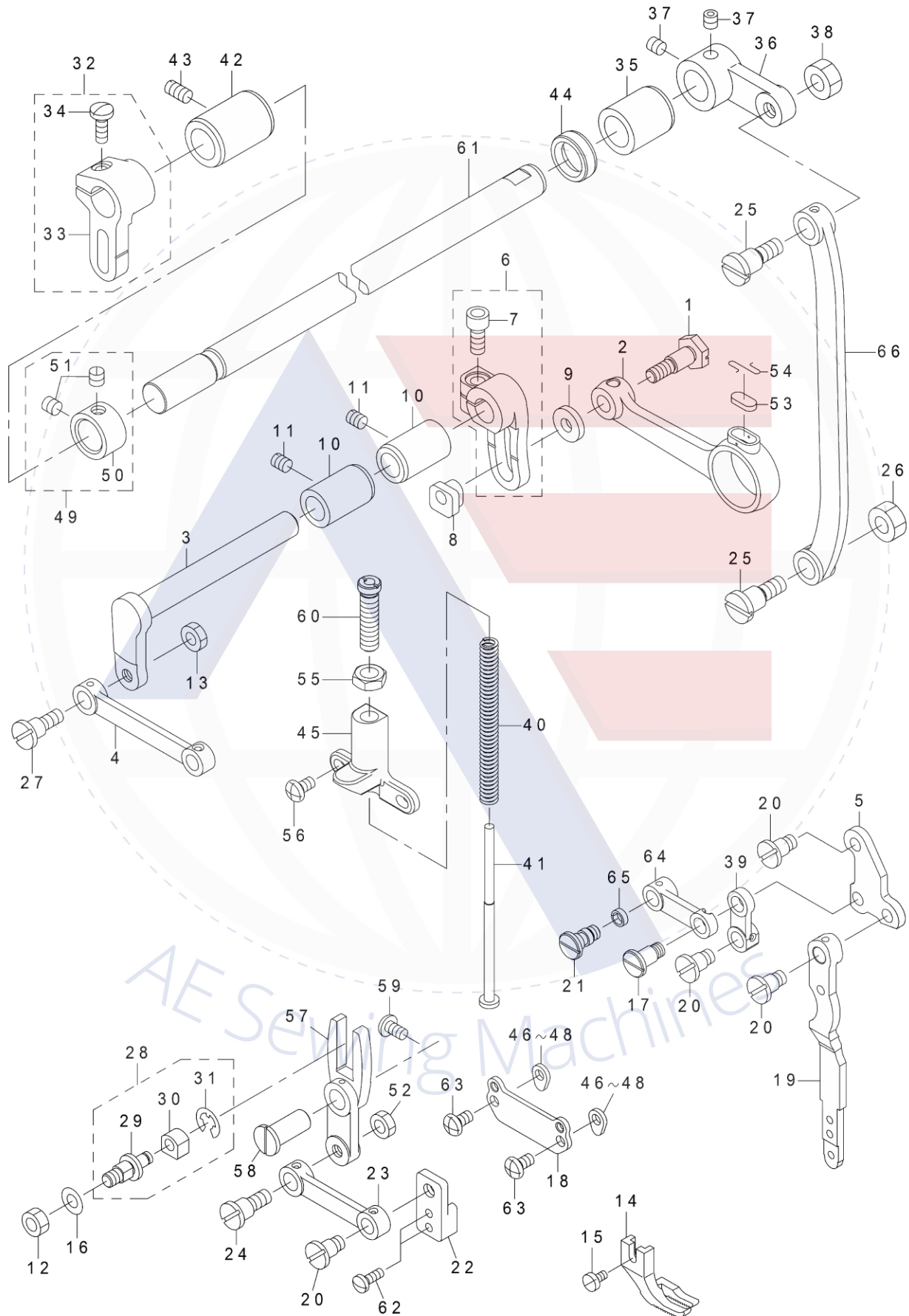
5. FEED MECHANISM COMPONENTS



No	note	Parts No.	DESCRIPTION	Qty
1		40024130	PITMAN ROD	1
2		40026195	FEED REGULATOR CONNECTING LINK	1
3		40024119	WALKING FOOT PIN	1
4		40024117	FEED REGULATOR	1
5		40101955	FEED REGULATOR BUSHING	1
6		40101956	FEED REGULATOR SHAFT	1
7		40038991	FEED REVERSE SHAFT	1
8		40038958	FEED REVERSE BUSHING	1
9		SM8061050TP	SCREW M6 L=10	1
10		SM8061010TP	SCREW M6 L=10	1
11		22912703	FEED LEVER	1
12		SS6121860SP	SCREW 3/16-28 L=18	1
13		40021571	FEED DIAL	1
14		22912000	FEED REGULATOR PIN	1
15		22912109	FEED REGULATOR PIN SPRING	1
16		22911804	FEED REGULATOR SCREW	1
17		22912505	FEED REVERSE ARM SCREW	1
18		40101947	LEVER RETURN SPRING	1
19		22966758	LEVER CRANK ASM.	1
20		40026194	HINGE PIN	1
21		40024308	FEED ROCK SHAFT CRANK L	1
22		SS6121210SP	SCREW 3/16-28 L=12	1
23		22940803	FEED BAR SHAFT	1
24		40101951	FEED BASE ASM	1
25		RC0150001KP	RETAINING RING 13.8	1
26		40099579	FEED ROCKER ARM ASM.	1
27		SS6121210SP	SCREW 3/16-28 L=12	(1)
28		RO118240100	O-RING	1
29		RO092270200	RUBBER RING	1
30		22912901	FEED ROCKER SHAFT	1
31		NS6680410SP	NUT 9/32-28	1
32		40099579	FEED ROCKER ARM ASM.	1
33		SS6121210SP	SCREW 3/16-28 L=12	(1)
34		22915003	CONNECTING ROD	1
35		SD1000801SH	HINGE SCREW D=10 H=8	1
36		22915201	FEED DRIVING SHAFT	1
37		22904155	MAIN SHAFT THRUST COLLAR ASM.	1
38		SS8660610TP	SCREW 1/4-40 L=6	(2)
39		22913008	FEED ROCKER SHAFT BUSHING	1
40		SS4080620TP	SCREW 1/8-44 L=6	2
41		SS7110740TP	SCREW 11/64-40 L=7	1
42		RC0150001KP	RETAINING RING 13.8	1
43		22940654	FEED ROCKER ASM.	1
44		SS7121410TP	SCREW 3/16-28 L=14	(1)
45		WP0480856SP	WASHER 4.8X8.4X0.8	(1)
46		22915359	DRIVING SHAFT CRANK ASM.	1
47		SS7111120TP	SCREW 11/64-40 L=10.5	(1)
48		22913008	FEED ROCKER SHAFT BUSHING	1
49		22904155	MAIN SHAFT THRUST COLLAR ASM.	1
50		SS8660610TP	SCREW 1/4-40 L=6	(2)
51		RO078190100	RUBBER RING	1
52		SS7120910TP	SCREW 3/16-28 L=9	1
53		40026520	FEED ROCKER SHAFT CRANK PIN	1
54		22972806	FEED ECCENTRIC CAM SETSCREW	1
55		SS6110710TP	SCREW 11/64-40 L= 6.5	1
56		22972806	FEED ECCENTRIC CAM SETSCREW	1
57		SS7620750SP	SCREW 3/16-32 L= 6.5	1
58		40101949	FEED DOG	1
59		40101948	FEED SPRING FOOK	1

1... /

6. UPPER FEED MECHANISM COMPONENTS

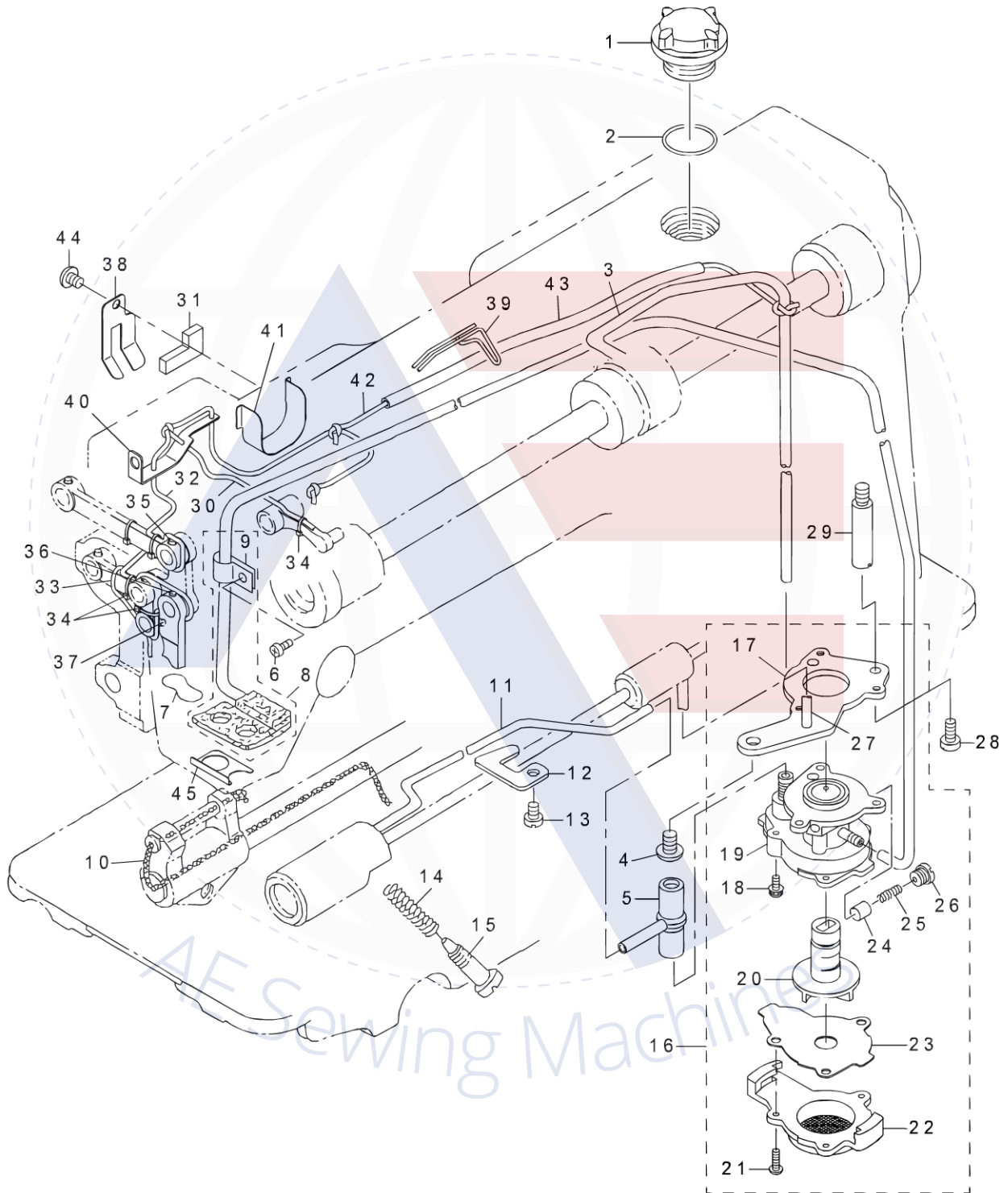


No	note	Parts No.	DESCRIPTION	Qty
1		40021579	HINGE SCREW	1
2		40021576	CRANK CONNECTING ROD	1
3		40022003	UPPER FEED DRIVING SHAFT	1
4		40101953	CONNECTING LINK	1
5		40101954	L-SHAPED LINK	1
6		40102601	UPPER FEED SPRING ROD ASM.	1
7		SS8151412TP	SCREW 15/64-28 L=14	(1)
8		B3009141HOA	NUT	1
9		B3010141H00	WASHER	1
10		40021625	BUSHING	2
11		SS8150710TP	SCREW 15/64-28 L=7	2
12		NS6160520SP	NUT 1/4-24	1
13		NS6150310SP	NUT 15/64-28	1
14		40022772	PRESSURE FOOT	1
15		SS7090610SP	SCREW 9/64-40 L=6	1
16		WP0650876SD	WASHER 6.5X13X0.8	1
17		B3016141H00	HINGE SCREW B	1
18		40021581	WALKING BAR DRIVING LINK	1
19		40101952	L-SHAPED ROD	1
20		B3015141H00	HINGE SCREW	4
21		40027512	HINGE SCREW	1
22		40021582	CONNECTING LINK HOLDER	1
23		40021577	CONNECTING LINK	1
24		SD0850751SP	HINGE SCREW D= 8.50 H= 7.5	1
25		SD1020961SP	HINGE SCREW D=10.2 H=9.6	2
26		NS6680320SP	NUT 9/32-28	1
27		SD0850751SP	HINGE SCREW D= 8.50 H= 7.5	1
28		40021787	SLIDE BLOCK ASM.	1
29		40021788	SLIDE BLOCK PIN	(1)
30		22913602	NEEDLE BAR SLIDE BLOCK	(1)
31		RE0400000K0	E-RING 4	(1)
32		40102601	UPPER FEED SPRING ROD ASM.	1
33		40101978	UPPER FEED SPRING ROD	(1)
34		SS7121410TP	SCREW 3/16-28 L=14	(1)
35		40021938	BUSHING REAR	1
36		40031287	DRIVING SHAFT ROD	1
37		SS8660612TP	SCREW 1/4-40 L=6	2
38		NS6680410SP	NUT 9/32-28	1
39		40021595	L-SHAPED LINK(B)	1
40		40101972	SPRING	1
41		40110729	SPRING POLE	1
42		40021585	BUSHING FRONT	1
43		SS8151150TP	SCREW 15/64-28 L=10.5	1
44		22888002	OIL SEAL	1
45		40101974	SPRING BAR	1
46	#01	40029415	WASHER C	2
47	#01	40029413	WASHER A	2
48	#01	40029414	WASHER B	2
49		22904155	MAIN SHAFT THRUST COLLAR ASM.	1
50		22904106	MAIN SHAFT THRUST COLLAR	(1)
51		SS8660610TP	SCREW 1/4-40 L=6	(2)
52		NS6150310SP	NUT 15/64-28	1
53		40025574	FELT	1
54		B1213012000	FELT RETAINER	1
55		40102008	NUT	1
56		SS4120915SP	SCREW 3/16-28 L=9	2
57		40021627	SLIDE FORK	1
58		40021630	HINGE PIN	1
59		SS4120915SP	SCREW 3/16-28 L=9	1
60		40101973	ADJUSTING THUMB SCREW	1
61		40021584	UPPER FEED DRIVING SHAFT	1
62		SS7091110SP	SCREW 9/64-40 L=10.5	2
63		SS4120915SP	SCREW 3/16-28 L=9	2
64		40021594	L-SHAPED LINK(A)	1
65		40027810	FELT	0.02
66		40021587	DRIVING ROD	1

1..#01SELECTIVE PARTS / 2...



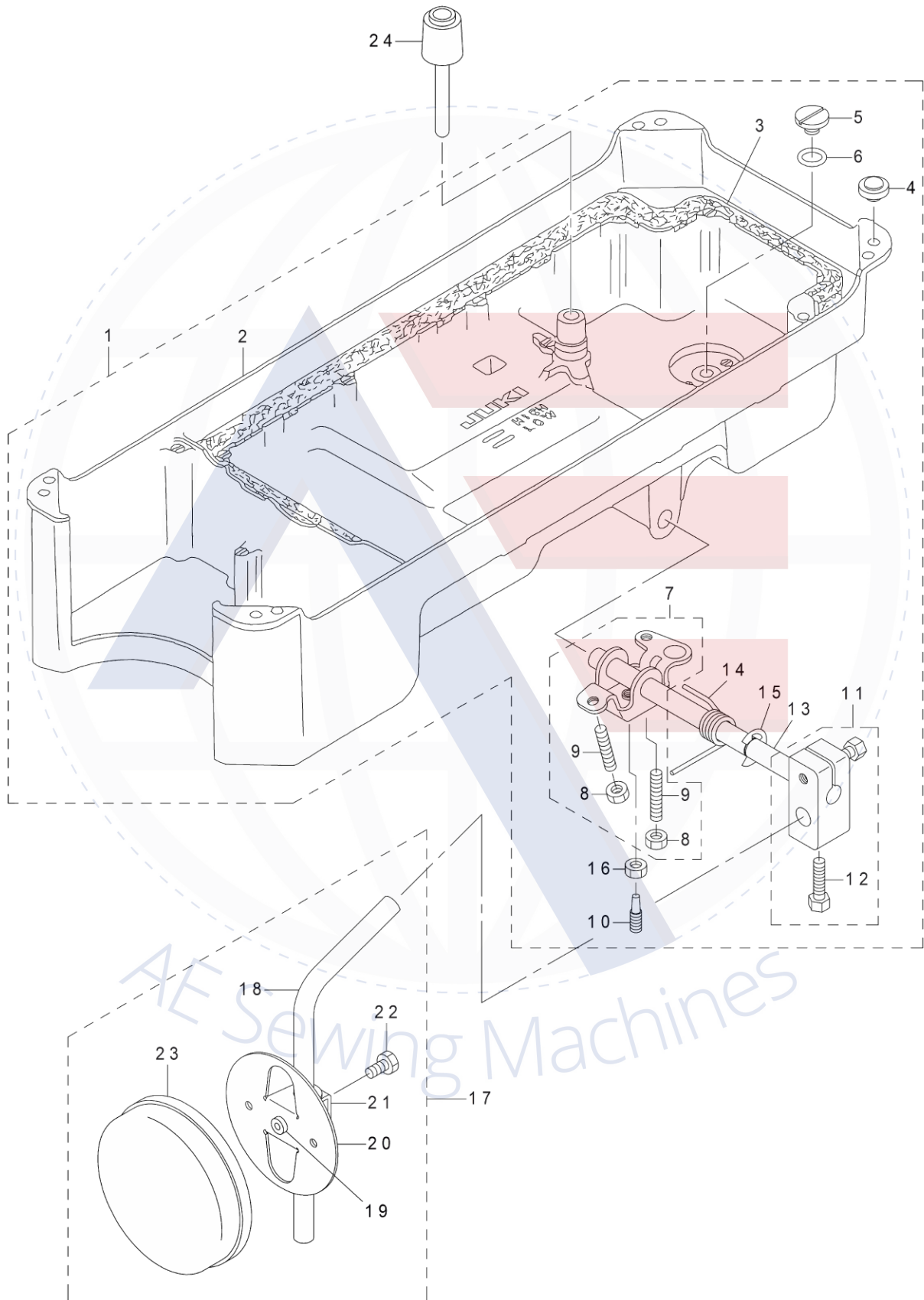
7. OIL LUBRICATION COMPONENTS



No	note	Parts No.	DESCRIPTION	Qty
1		22924708	OIL SIGHT WINDOW	1
2		RO195240100	RUBBER RING	1
3		22924401	MAIN SHAFT OIL TUBE	1
4		SS4150915SP	SCREW 15/64-28 L=9	1
5		22924609	RUBBER JOINT	1
6		SS4120615SP	SCREW 3/16-28 L=6	1
7		22925101	OIL FELT PRESSER	1
8		22924153	RETURN PIPE ASM.	1
9		22924302	RETURN PIPE HOLDER	(1)
10		CQ252000000	OIL WICK	0.3
11		22924500	HOOK OIL TUBE	1
12		22924807	PIPE HOLDER LOWER	1
13		SS4150915SP	SCREW 15/64-28 L=9	1
14		22924906	OIL REGULATOR SCREW SPRING	1
15		22925002	OIL REGULATOR SCREW	1
16		11404555	LUBRICATING OIL PUMP ASM.	1
17		22923312	PUMP BODY INSTALLING PLATE	(1)
18		SL4030851SF	SCREW M3 L=8	(3)
19		22923015	PUMP BODY	(1)
20		22923700	IMPELLER	(1)
21		SE4301041SR	SCREW D=3 L=10	(3)
22		22923205	PUMP BODY COVER	(1)
23		22923809	PUMP BODY SUPPORT PLATE	(1)
24		22923403	PLUNGER	(1)
25		22923601	PLUNGER SPRING	(1)
26		22923502	PLUNGER SCREW	(1)
27		11404605	HOOK DRIVING SHAFT OIL TUBE	(1)
28		SS6111010TP	SCREW 11/64-40 L=9.5	1
29		22924005	PUMP BODY STRUT	1
30		CQ202000000	OIL WICK	0.1
31		40102156	FELT	1
32		CQ202000000	OIL WICK	0.75
33		CQ202000000	OIL WICK	0.1
34		EA9500B0000	CLIP CV-70S	5
35		CQ3000000F0	OIL FELT	0.04
36		CQ3000000F0	OIL FELT	0.04
37		CQ3000000F0	OIL FELT	0.04
38		40025328	OIL SHIELD (C)	1
39		40027938	HOLDER	1
40		40030403	OIL WICK SUPPORT	1
41		40030402	OIL SHIELD (D)	1
42		CQ252000000	OIL WICK	0.39
43		23630007	TUBE	0.19
44		SS4120615SP	SCREW 3/16-28 L=6	1
45		40021999	FACE PLATE OIL SHIELD (B)	1

1... /1

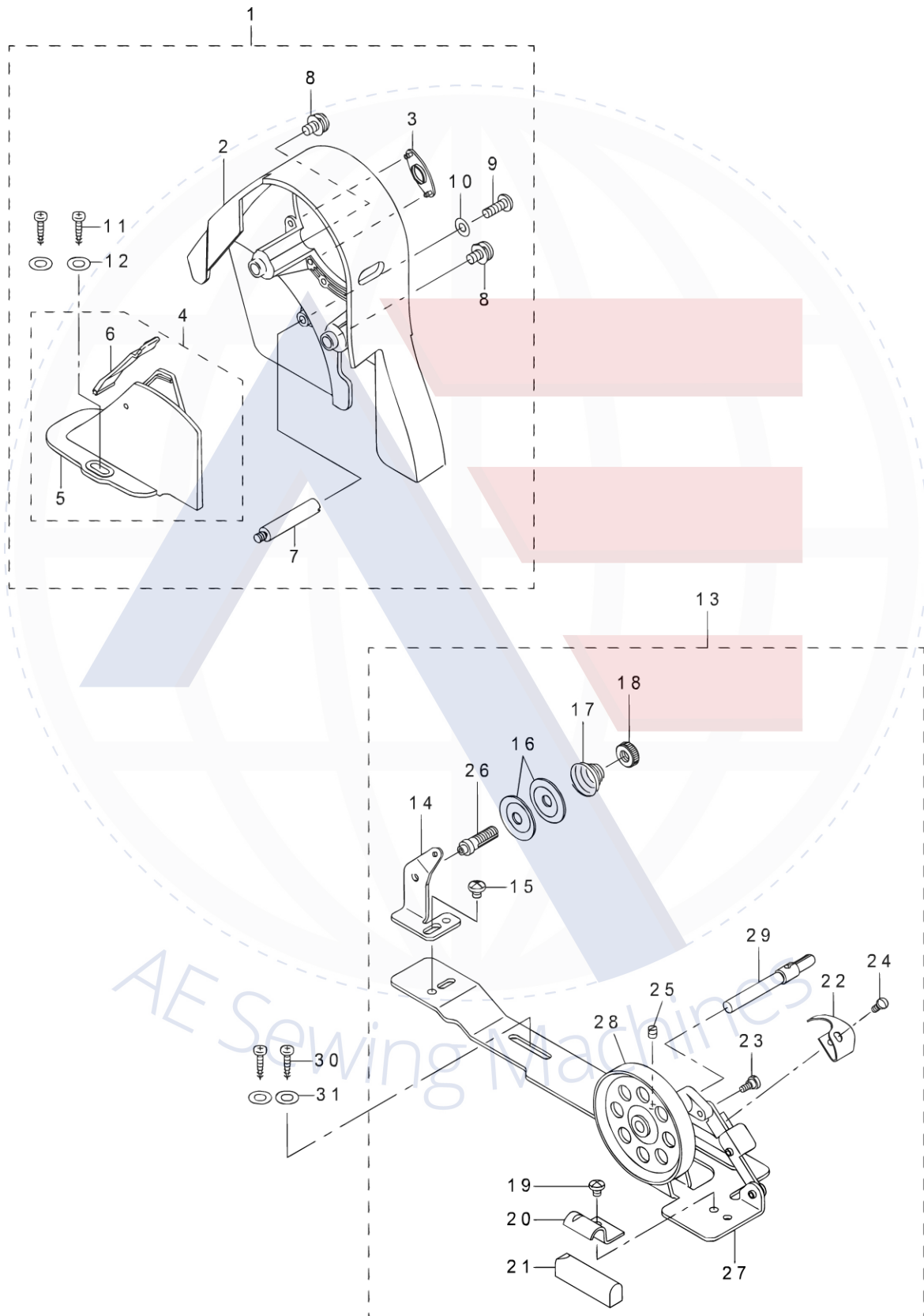
8. OIL RESERVOIR COMPONENTS



No	note	Parts No.	DESCRIPTION	Qty
1		40029416	OIL RESERVOIR ASM.	1
2		40105821	OIL RESERVOIR	(1)
3		22931901	OIL RESERVOIR GASKET	(1)
4		22932008	RUBBER CUSHION	(4)
5		SS6700710SH	SCREW 5/16-24 L=7	(1)
6		RO098240100	RUBBER RING	(1)
7		22932156	KNEE LIFTER ROTATION ARM ASM.	(1)
8		NM6060001SE	NUT M6	(2)
9		SM8063012TR	SCREW M6 L=30	(2)
10		40101720	SCREW M6	(1)
11		22932453	BRACKET ASM.	(1)
12		22934707	SCREW	(2)
13		40101541	KNEE PRESS CROSS SHAFT	(1)
14		22932206	SPRING	(1)
15		RE1000000K0	E-RING 10	(1)
16		NM6060001SE	NUT M6	(1)
17		22934251	KNEE PAD PLATE ASM.	1
18		22934608	KNEE PAD UPRIGHT SHAFT	(1)
19		22934400	KNEE PAD PLATE RUBBER	(1)
20		22934202	KNEE PAD PLATE	(1)
21		22934301	KNEE PAD PLATE SUPPORT	(1)
22		SM9061203SE	SCREW M6 L=12	(1)
23		22934509	KNEE PAD PLATE COVER	(1)
24		22931703	KNEE LIFTER PUSH ROD	1

1... /

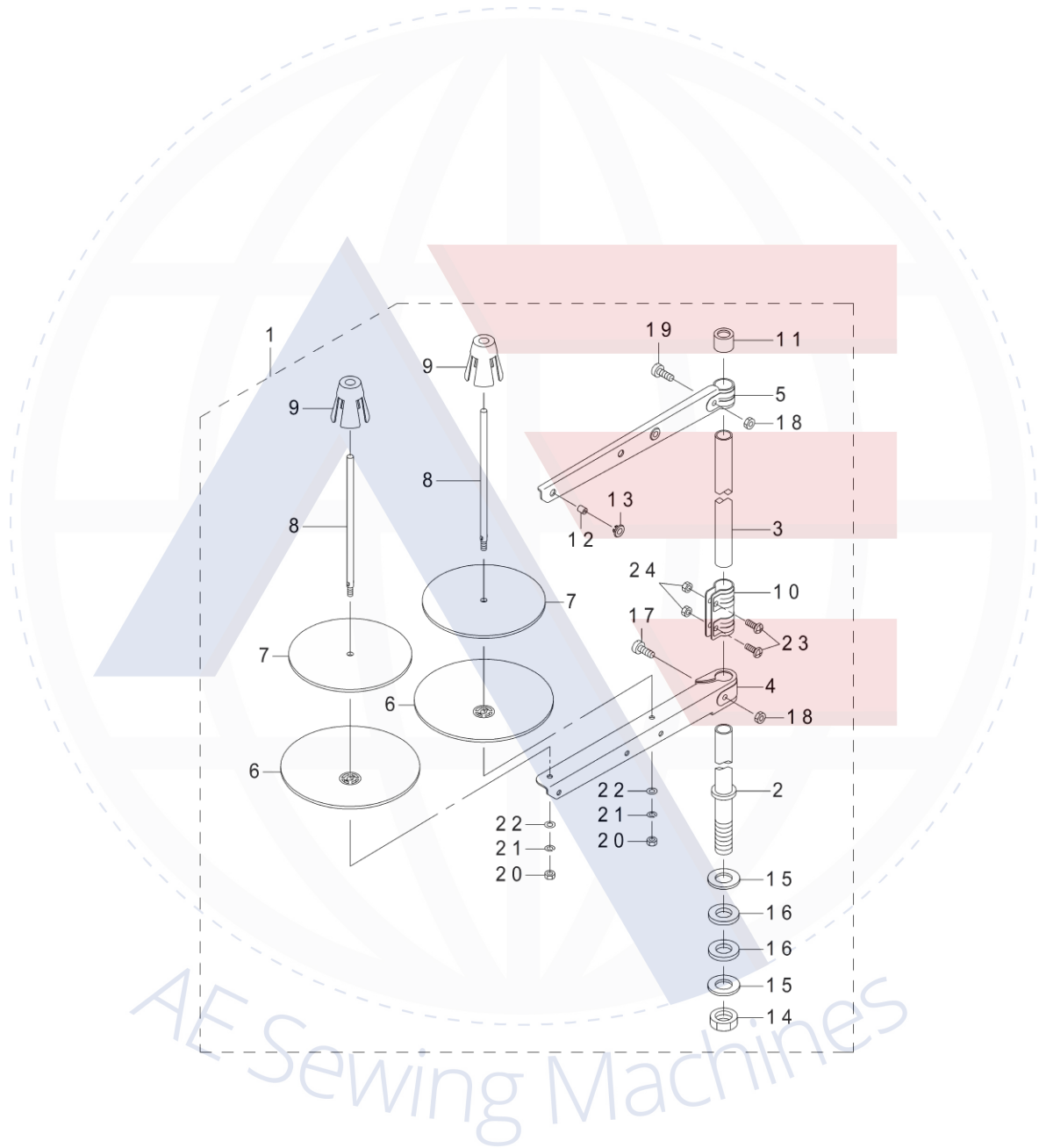




No	note	Parts No.	DESCRIPTION	Qty
1		22933451	BELT COVER ASM.	1
2		22933402	BELT COVER A	(1)
3		22933501	BELT COVER A CAP	(1)
4		22933659	BELT COVER B COMPL.	(1)
5		22933600	BELT COVER B	(1)
6		22933758	BELT COVER B LID ASM.	(1)
7		22933907	BELT COVER STRUT	(1)
8		22934004	SET SCREW	(2)
9		SS4121415SP	SCREW 3/16-28 L=14	(1)
10		WP0501016SD	WASHER 5X10.5X1	(1)
11		SK3412000SC	WOOD SCREW D=4.1 L=20	(2)
12		WP0450826SC	WASHER 4.5X10X0.8	(2)
13		11415866	BOBBIN WINDER COMPL.	1
14		22928501	THREAD TENSION POST BASE	(1)
15		SS4110515SP	SCREW 11/64-40 L=5	(1)
16		22928907	THREAD TENSION DISK	(2)
17		22929004	THREAD TENSION SPRING	(1)
18		22928808	NUT	(1)
19		SS4110515SP	SCREW 11/64-40 L=5	(1)
20		22928402	CONTROL RUBBER HOLDING PLATE	(1)
21		22928303	CONTROL RUBBER	(1)
22		11415908	POSITIONING FINGER	(1)
23		SD0490261SP	HINGE SCREW D=4.9 H=2.6	(1)
24		SS7081310SP	SCREW 1/8-44 L=12.5	(1)
25		SS8110510SP	SCREW 11/64-40 L=5	(1)
26		22928709	THREAD TENSION POST	(1)
27		22927305	BOBBIN WINDER BASE	(1)
28		22927404	BOBBIN WINDER	(1)
29		22927602	BOBBIN WINDER SPINDLE	(1)
30		SK3412000SC	WOOD SCREW D=4.1 L=20	2
31		WP0450826SC	WASHER 4.5X10X0.8	2

1... /





No	note	Parts No.	DESCRIPTION	Qty
1		40096354	THREAD STAND ASM.	1
2		40085784	SPOOL REST ROD LOWER	(1)
3		40085785	SPOOL REST ROD UPPER	(1)
4		40085786	SPOOL REST ARM LOWER	(1)
5		40085787	SPOOL REST ARM UPPER	(1)
6		40085788	SPOOL REST	(2)
7		40085789	SPOOL REST CUSHION	(2)
8		40085790	SPOOL PIN	(2)
9		40085791	SPOOL RETAINER	(2)
10		40085792	SPOOL REST ROD JOINT	(1)
11		40085793	SPOOL REST ROD RUBBER CAP	(1)
12		40085794	THREAD GUIDE	(2)
13		40085795	THREAD GUIDE BUSHING	(2)
14		40096325	SPOOL REST ROD NUT	(1)
15		WP1612616SE	WASHER 16X30X2.6	(2)
16		40085796	SPOOL REST ROD RUBBER CUSHION	(2)
17		40096326	SPOOL REST ARM LOWER SCREW	(1)
18		NM6050001SE	NUT M5	(2)
19		40096327	SPOOL REST ARM UPPER SCREW	(1)
20		NM6050001SE	NUT M5	(2)
21		WS0510002KN	SPRING WASHER M5	(2)
22		WP0531001SC	WASHER M5	(2)
23		SM4051405SE	SCREW M5 L=14	(2)
24		NM6050001SE	NUT M5	(2)

1... / 2...undefined / 3...undefined / 4...undefined / 5...undefined / 6...undefined / 7...undefined / 8...undefined / 9...undefined / 10...undefined / 11...undefined / 12...undefined / 13...undefined / 14...undefined / 15...undefined / 16...undefined / 17...undefined / 18...undefined / 19...undefined / 20...undefined / 21...undefined / 22...undefined / 23...undefined / 24...undefined / 25...undefined / 26...undefined / 27...undefined / 28...undefined / 29...undefined / 30...undefined / 31...undefined / 32...undefined / 33...undefined / 34...undefined / 35...undefined / 36...undefined / 37...undefined / 38...undefined / 39...undefined / 40...undefined / 41...undefined / 42...undefined / 43...undefined / 44...undefined / 45...undefined / 46...undefined / 47...undefined / 48...undefined / 49...undefined / 50...undefined / 51...undefined / 52...undefined / 53...undefined / 54...undefined / 55...undefined / 56...undefined / 57...undefined / 58...undefined / 59...undefined / 60...undefined / 61...undefined / 62...undefined /

